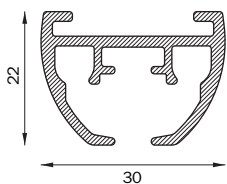


5600

profile

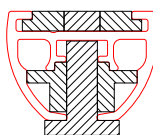
5600
492 gr/m



bending

radius
R 20 (1015)
R 30 (1015)
R >100 (1018)

filler position



arch bending

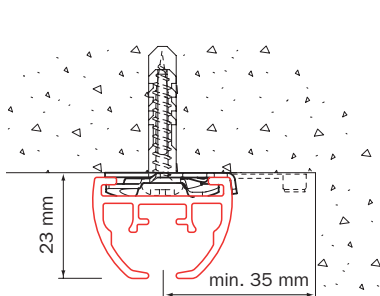
Minimal radius: 150 cm.

Arch bending: on request

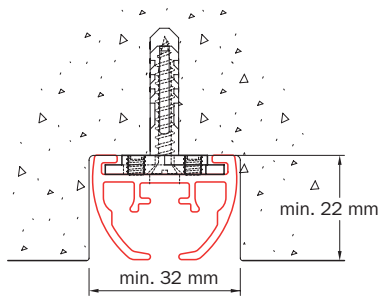
Advised: choose a split stacked system, closing at the top.

When opening the curtain, a single stack can behave uncontrollably, once a critical weight of the stack has passed the top of the arched system.

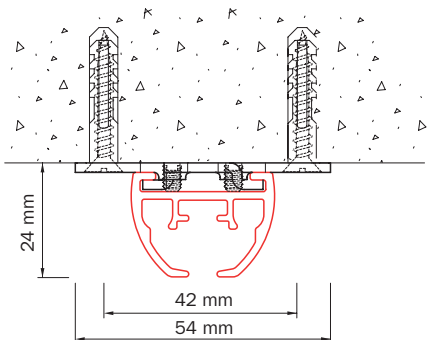
Mounting



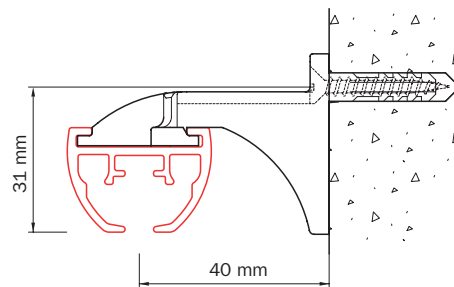
ceiling mounting with ceiling mounting clamp 6050



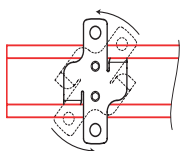
recessed mounting to or in ceiling with bracket 6055-2000
- when mounting in ceiling, take into account the wider pulleys
- curved systems: bend profile first then use as template for the rebate
- pre-drilling of profile by Goelst NL



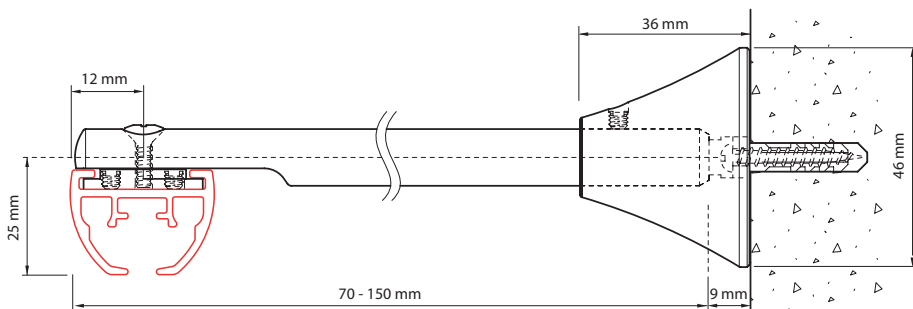
ceiling mounting with ceiling bracket 6055-1000



wall mounting with wall support 6051



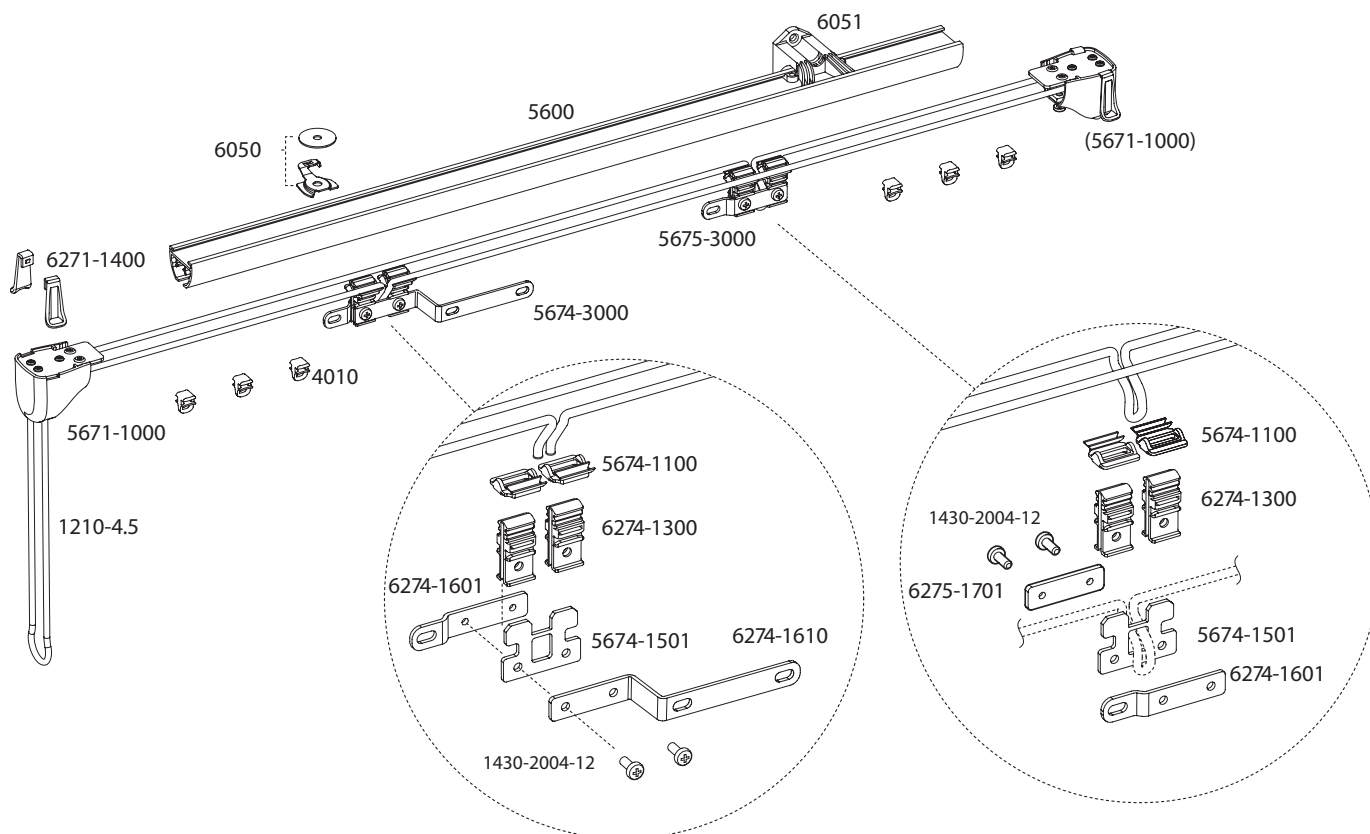
mounting: rotate and secure



wall mounting with extension bracket 6017, can be cut from 15 to 7 cm

Exploded view

5600



5600

load table

(max. curtain weight in kg)

curves	Glider/roller	to 12 m
straight	4010, 4020, 4030	40
	6010	20
1 curve	4010, 4020, 4030	30
	6010	15
2 curves	4010, 4020, 4030	20
	6010	10

Table cord operated

required pulling force by hand, in kg

	curtain weight in kg									
	0	10	20	30	40	50	60	70	80	
straight	1	3	4	5	6	7	8	9	10	
1 curve	in straight part	1.3	3.4	4.4	5.4	6.4	7.4	8.4	9.4	-
	in curve	2.5	3.7	5	6	7	8	9	10	-
2 curves	in straight part	1.5	3.7	4.5	5.5	6.5	7.8	9	-	-
	in curve	4.7	5.6	6.3	7.2	8.1	9	10	-	-

Recommended pulling force for operation with 1 hand: up to 6 kg.
Estimate around 10 kg deduction per curve for the curtain weight.

G-Standard

